

Wired expanders

A range of wired expanders designed and approved to be used as part of a security grade 2 or 3 system. Bus connected intelligent expanders are intended for use on all i-on control panels.



Providing installation flexibility, with ten zones and 4 outputs on board, the expanders give a choice of zone wiring options. These include FSL with various resistor values and 2 wire or 4 wire CC for takeover of legacy systems.

A host of installer friendly options are designed to save time on installation and service visits. These include:

- Decimal expansion system for more zones per expander. This also makes zone identification easier
- Semi-Automatic addressing makes addressing much simpler. No address duplication or lost address links
- Device locator to find any expander on the site by simply activating the buzzer inside the expander then walk the site listening for the buzzer

At a glance...

EXP-W10

- Ten wired zones with 4 outputs

EXP-PSU-SM

- Ten wired zones with 4 outputs
- 1 amp power supply
- Capacity for a single 7Ah battery
- Contained in a small metal housing

EXP-PSU-MM

- Ten wired zones with 4 outputs
- 2 amp power supply
- Capacity for a single 17Ah battery
- Contained in a medium metal housing

EXP-PSU-LM

- Ten wired zones with 4 outputs
- 3 amp power supply
- Capacity for two 17Ah batteries
- Contained in a large metal housing

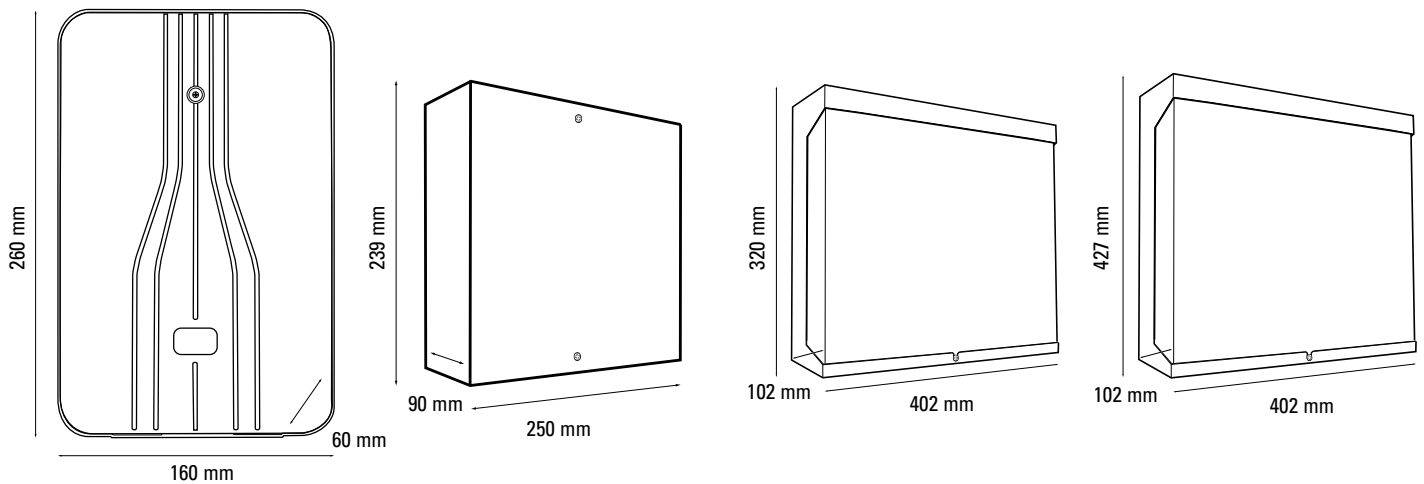


Powering Business Worldwide

Scantronic product data sheet

Product specification

Product Code	EXP-W10	EXP-PSU-SM	EXP-PSU-MM	EXP-PSU-LM
Zones	10	10	10	10
PD6662:2017 Grade	2 or 3	2	2 or 3	2 or 3
Environmental Class	2	2	2	2
Battery charge outputs	0	1	1	2
Current	NA	1A	2A	3A
Loudspeaker connection	Yes	Yes	Yes	Yes
Housing	Plastic	Small metal	Medium metal	Large metal
Dimensions	260mm x 160mm x 60mm	239mm x 250mm x 90mm	320mm x 402mm x 102mm	427mm x 402mm x 102mm



Compare product compatibility with our easy to read chart: www.eaton.com/security-works-with

Eaton
Electrical Sector
EMEA Route de la Longeraie 7
1110 Morges, Switzerland

Eaton Electrical Products Ltd
Security House,
Vantage Point Business Village,
Mitcheldean, Gloucestershire
GL17 0SX

Tel: +44 (0)1594 545 400
Email: securitysales@eaton.com
Web: www.myscantronic.com

Eaton is a registered trademark of Eaton Corporation.

All other trademarks are property of their respective owners.