

DS-2SE7C144IW-AE(32x/4)(S5) 4 MP 32× IR Network Speed Dome

AcuSense



Hikvision DS-2SE7C144IW-AE(32x/4)(S5) 4 MP 32 × IR Network Speed Dome adopts 1/2.8" progressive scan CMOS chip. With the 32 × optical zoom lens, the camera offers more details over expansive areas. This series of cameras can be widely used for wide ranges of high-definition, such as rivers, roads, railways, airports, squares, parks, scenic spots, and venues, etc.

Powered by deep learning algorithms, Hikvision AcuSense technology brings human and vehicle targets classification alarms to front- and back-end devices. The system focuses on human and vehicle targets, vastly improving alarm efficiency and effectiveness.

- 1/2.8" progressive scan CMOS
- High quality imaging with 4 MP resolution
- Excellent low-light performance with powered-by-DarkFighter technology
- Secures an expansive area with 32× optical zoom and 16× digital zoom
- Supports WDR, HLC, BLC, 3D DNR, defog, regional exposure, regional focus, rapid focus
- Expansive night view with up to 150 m IR distance
- Supports 24 VAC & Hi-PoE
- Supports audio visual alarm. The white flashing light and audible warning can be triggered by certain events, and the warning content is selectable



▪ DORI

The DORI (detect, observe, recognize, identify) distance gives the general idea of the camera ability to distinguish persons or objects within its field of view. It is calculated based on the camera sensor specification and the criteria given by EN 62676-4: 2015.

| DORI | Detect | Observe | Recognize | Identify |
|-----------------|-----------------------|----------------------|---------------------|---------------------|
| Definition | 25 px/m | 63 px/m | 125 px/m | 250 px/m |
| Distance (Tele) | 3060.0 m (10039.4 ft) | 1214.3 m (3983.9 ft) | 612.0 m (2007.9 ft) | 306.0 m (1004.0 ft) |

▪ Specification

| Camera Module | |
|-------------------------|---|
| Image Sensor | [Panoramic channel]: 1/2.8" progressive scan CMOS; [PTZ channel]: 1/2.8" progressive scan CMOS |
| Min. Illumination | [Panoramic channel]: 0.005 Lux @ (F1.6, AGC ON), 0 Lux with IR; [PTZ channel]: Color: 0.005 Lux @ (F1.5, AGC ON), B/W: 0.001 Lux @ (F1.5, AGC ON), 0 Lux with IR |
| Shutter Speed | 1 s to 1/30,000 s |
| Slow Shutter | yes |
| Focus | semi-auto, manual, auto |
| Day & Night | ICR |
| Day/Night Switch | day, night, auto, scheduled-switch |
| BLC | yes |
| WDR | 120 dB WDR |
| HLC | yes |
| 3D DNR | yes |
| Defog | yes |
| EIS | yes |
| Regional Exposure | yes |
| Regional Focus | yes |
| Image Settings | saturation, brightness, contrast, sharpness |
| Image Parameters Switch | [Panoramic channel]: yes; [PTZ channel]: yes |
| White Balance | auto, ATW, sodium lamp, fluorescent lamp, indoor, outdoor, MWB, locked WB |
| Digital Zoom | 16x |
| Optical Zoom | 32x |
| Privacy Mask | polygon region, mosaic mask, mask color configurable, [Panoramic channel] 8 masks, [PTZ channel] 24 masks |
| SNR | >52dB |
| General Function | mirror, password protection, watermark, IP address filter |
| Lens | |
| Focal Length | [Panoramic channel]: 4 mm; [PTZ channel]: 5.9 to 188.8 mm, 32 × optical |
| Zoom Speed | [PTZ channel]: approx. 5.6 s |
| FOV | [Panoramic channel]: Horizontal field of view: 79°, Vertical field of view: 42.4°; [PTZ channel]: Horizontal field of view: 60.2° to 2.3° (wide-tele) |
| Aperture | [Panoramic channel]: F1.6; [PTZ channel]: F1.5 |

| PTZ | |
|-----------------------|--|
| Movement Range (Pan) | 360° |
| Movement Range (Tilt) | -15° to 90° (auto flip) |
| Pan Speed | pan speed: configurable from 0.1° to 160°/s; preset speed: 240°/s |
| Tilt Speed | tilt speed: configurable from 0.1° to 120°/s, preset speed 200°/s |
| Proportional Zoom | yes |
| Presets | 300 |
| Patrol Scan | 8 patrols, up to 32 presets for each patrol |
| Pattern Scan | 4 pattern scans |
| Power-off Memory | yes |
| Park Action | preset, pattern scan, patrol scan, auto scan, tilt scan, random scan, frame scan, panorama scan |
| 3D Positioning | yes |
| PTZ Status Display | yes |
| Preset Freezing | yes |
| Scheduled Task | preset, pattern scan, patrol scan, auto scan, tilt scan, random scan, frame scan, panorama scan, dome reboot, dome adjust, aux output |
| Exception Detection | IP address conflict, HDD full, illegal login, HDD error, network disconnected |
| Video | |
| Max. Resolution | [Panoramic channel]: 2560 × 1440; [PTZ channel]: 2560 × 1440 |
| Stream Type | main stream, sub-stream, third stream |
| Main Stream | [Panoramic channel]: 50 Hz: 25 fps (2560 × 1440, 1920 × 1080, 1280 × 960, 1280 × 720) 60 Hz: 30 fps (2560 × 1440, 1920 × 1080, 1280 × 960, 1280 × 720) [PTZ channel]: 50 Hz: 25 fps (2560 × 1440, 1920 × 1080, 1280 × 960, 1280 × 720) 60 Hz: 30 fps (2560 × 1440, 1920 × 1080, 1280 × 960, 1280 × 720) |
| Sub-Stream | [Panoramic channel]: 50 Hz: 25 fps (704 × 576, 640 × 480, 352 × 288) 60 Hz: 30 fps (704 × 480, 640 × 480, 352 × 240) [PTZ channel]: 50 Hz: 25 fps (704 × 576, 640 × 480, 352 × 288) 60 Hz: 30 fps (704 × 480, 640 × 480, 352 × 240) |
| Third Stream | [Panoramic channel]: 50 Hz: 25 fps (1920 × 1080, 1280 × 960, 1280 × 720, 704 × 576, 640 × 480, 352 × 288) 60 Hz: 30 fps (1920 × 1080, 1280 × 960, 1280 × 720, 704 × 480, 640 × 480, 352 × 240) [PTZ channel]: 50 Hz: 25 fps (1920 × 1080, 1280 × 960, 1280 × 720, 704 × 576, 640 × 480, 352 × 288) 60 Hz: 30 fps (1920 × 1080, 1280 × 960, 1280 × 720, 704 × 480, 640 × 480, 352 × 240) |
| Video Compression | H.265, H.264, MJPEG |
| Video Bit Rate | 32 kbps to 16384 kbps |
| H.264 Type | baseline profile, main profile, high profile |
| H.265 Type | main profile |
| H.264+ | yes |
| H.265+ | yes |

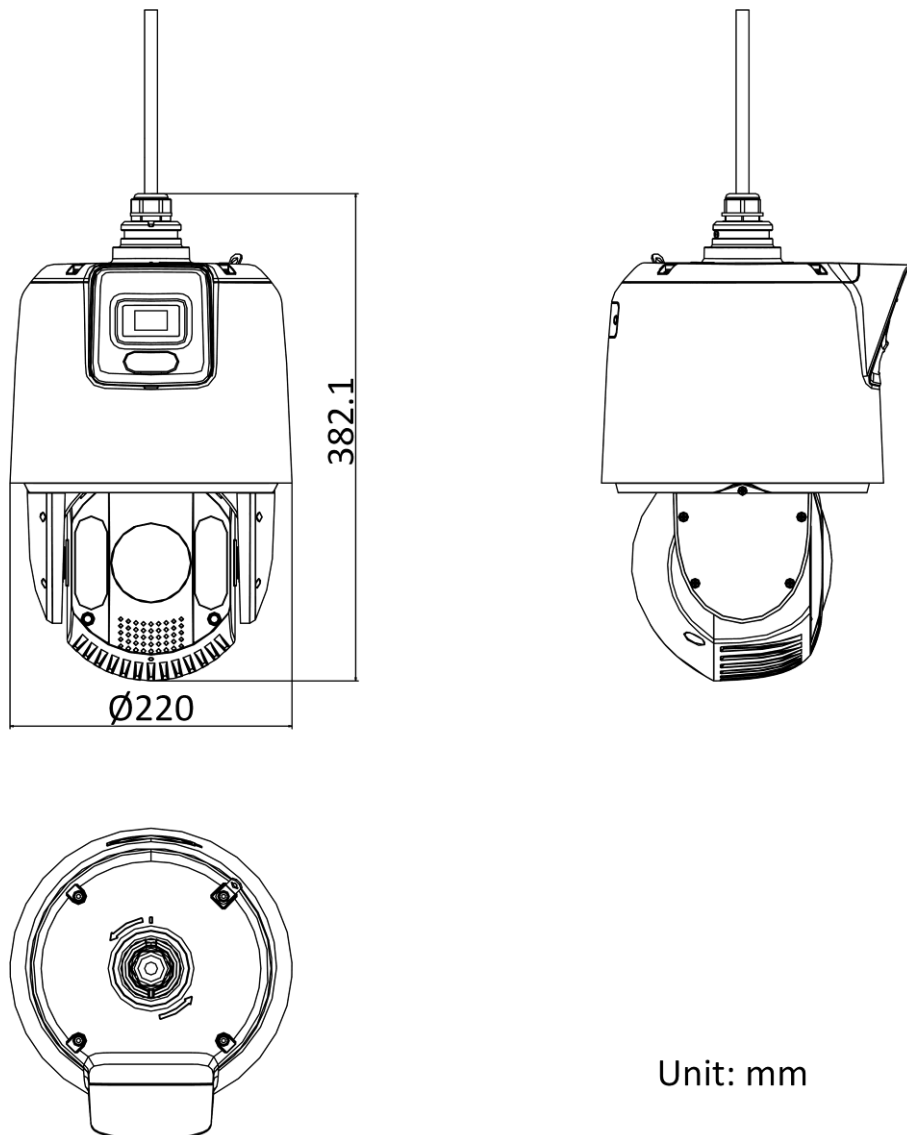
| | |
|-----------------------------|---|
| SVC | yes |
| ROI | dynamic target tracking, main stream, sub-stream and third stream respectively support eight fixed areas |
| Audio | |
| Audio Compression | G.711alaw, G.711ulaw, G.722.1, G.726, MP2L2, PCM, AAC |
| Audio Bit rate | MP2L2: 32 kbps, 40 kbps, 48 kbps, 56 kbps, 64 kbps, 80 kbps, 96 kbps, 112 kbps, 128 kbps, 144 kbps, 160 kbps, 192 kbps |
| Audio Sampling Rate | MP2L2: 16 kHz, 32 kHz, 48 kHz, PCM: 8 kHz, 16 kHz, 32 kHz, 48 kHz |
| Environment Noise Filtering | yes |
| Smart Features | |
| Face Capture | Support detecting up to 5 faces at the same time. Support detecting, tracking, capturing, grading, selecting of face in motion, and output the best face picture of the face |
| Basic Event | motion detection, alarm input, alarm output, video tampering alarm, exception |
| Smart Event | intrusion detection, line crossing detection, region entrance detection, region exiting detection, audio exception detection |
| Smart Tracking | manual tracking, panorama tracking, event tracking, auto-tracking, tracking takeover |
| Smart Record | ANR, Dual-VCA |
| Alarm Linkage | preset, patrol scan, pattern scan, memory card video recording, alarm output, sending email, notify surveillance center, upload to FTP, smart tracking, audible warning, white light flashing |
| Warning and Alert | white light and audible warning |
| Perimeter Protection | Line crossing, intrusion, region entrance, region exiting Support alarm triggering by specified target types (human and vehicle) |
| Network | |
| Network Storage | NAS (NFS, SMB/ CIFS), ANR |
| Protocols | IPv4/IPv6, HTTP, HTTPS, 802.1x, QoS, FTP, SMTP, UPnP, SNMP, DNS, DDNS, NTP, RTSP, RTCP, RTP, TCP/IP, UDP, IGMP, ICMP, DHCP, PPPoE, Bonjour |
| API | Open-ended API, Open Network Video Interface (Profile S, Profile G), ISAPI, Hikvision SDK, Third-party management platform, ISUP |
| Simultaneous Live View | 20 |
| User/Host | 32 |
| Security Measures | Authenticated username and password, MAC address binding, HTTPS encryption, 802.1X authenticated access, IP address filter |
| Client | iVMS-4200, Hik-Connect, HikCentral |
| Web Browser | IE 10+, Chrome 57+, Firefox 52+, Safari 12+ |
| Interface | |
| Communication Interface | RJ45, self-adaptive 10M/100M Ethernet port |
| On-board Storage | Built-in memory card slot, support Micro SD/Micro SDHC/Micro SDXC, up to 256 GB |
| Alarm Input | 2 alarm inputs |
| Alarm Output | 1 alarm output |
| Audio Input | 1 audio input, 2.0 to 2.4Vp-p, 1k Ohm±10% |
| Audio Output | 1 audio output, line level, impedance: 600 Ω |
| Supplement Light | |
| IR Distance | [PTZ channel]: up to 150 m; [Panoramic channel]: up to 30 m |
| Visual Alarm | 30 m |

| General | |
|-------------------------------|--|
| Power | 24 VAC, Hi-PoE |
| Power Consumption and Current | Max. 42 W, including max. 2.6 W for heater and max. 11 W for supplement light |
| Operating Conditions | -30°C to 65°C (-22°F to 149°F), humidity lower than 90%RH |
| Reset | yes |
| Demist | Demist by heating the glass |
| Material | ADC12 |
| Dimensions | Ø220 mm × 382.1 mm (Ø 8.7" × 15.0") |
| Weight | Approx. 4.5 kg (9.92 lb.) |
| Approval | |
| Protection | IP66 Standard, IK10 (excluding glass window), 6000 V Lightning Protection, Surge Protection and Voltage Transient Protection |

▪ **Available Model**

DS-2SE7C144IW-AE(32X/4) (S5)





▪ **Dimension**



Unit: mm

▪ **Accessory**

▪ **Optional**

| DS-1602ZJ Wall mount | DS-1661ZJ Pendant Mount | DS-1602ZJ-Pole Vertical pole mount | DS-1602ZJ-Corner Corner mount |
|---|---|--|---|
|  |  |  |  |

Distributed by



HIKVISION®

Headquarters

No.555 Qianmo Road, Binjiang District,
Hangzhou 310051, China
T +86-571-8807-5998
overseasbusiness@hikvision.com

Hikvision USA
T +1-909-895-0400
sales.usa@hikvision.com

Hikvision Australia
T +61-2-8599-4233
salesau@hikvision.com

Hikvision India
T +91-22-28469900
sales@pramahikvision.com

Hikvision Canada
T +1-866-200-6690
sales.canada@hikvision.com

Hikvision Thailand
T +662-275-9949
sales.thailand@hikvision.com

Hikvision Europe
T +31-23-5542770
sales.eu@hikvision.com

Hikvision Italy
T +39-0438-6902
info.it@hikvision.com

Hikvision Brazil
T +55 11 3318-0050
Latam.support@hikvision.com

Hikvision Turkey
T +90 (216)521 7070- 7074
sales.tr@hikvision.com

Hikvision Malaysia
T +601-7652-2413
sales.my@hikvision.com

Hikvision UK & Ireland
T +01628-902140
sales.uk@hikvision.com

Hikvision South Africa
Tel: +27 (10) 0351172
sale.africa@hikvision.com

Hikvision France
T +33(0)1-85-330-450
info.fr@hikvision.com

Hikvision Kazakhstan
T +7-727-9730667
nikia.panfilov@hikvision.ru

Hikvision Vietnam
T +84-974270888
sales.vt@hikvision.com

Hikvision UAE
T +971-4-4432090
salesme@hikvision.com

Hikvision Singapore
T +65-6684-4718
sg@hikvision.com

Hikvision Spain
T +34-91-737-16-55
info.es@hikvision.com

Hikvision Tashkent
T +99-87-1238-9438
uzb@hikvision.ru

Hikvision Hong Kong
T +852-2151-1761
info.hk@hikvision.com

Hikvision Russia
T +7-495-669-67-99
saleru@hikvision.com

Hikvision Korea
T +82-(0)31-731-8817
sales.korea@hikvision.com

Hikvision Poland
T +48-22-460-01-50
info.pl@hikvision.com

Hikvision Indonesia
T +62-21-2933759
Sales.Indonesia@hikvision.com

Hikvision Colombia
sales.colombia@hikvision.com